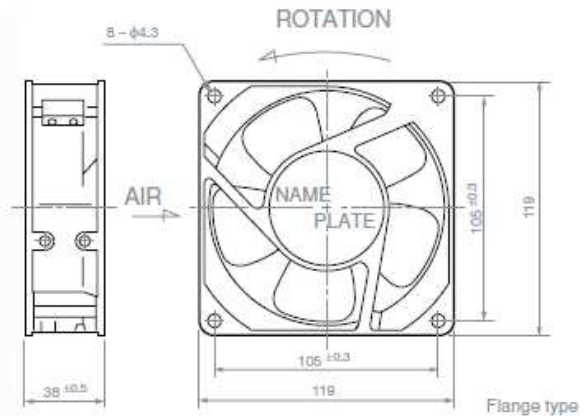


## 4715MS SERIES AC AXIAL FAN



### Specification Data:

|                      |   |                       |                           |
|----------------------|---|-----------------------|---------------------------|
| • Dimensions/Type:   | 119mm □ x 38mm Axial Fan  | • Terminal:           | Faston 110 equivalent     |
| • Motor Protection:  | B10 ~ B30 Impedance<br>B4A ~ B5A Thermal  | • Lead Wire:          | UL3266, CSA CL1252, AWG22 |
| • Motor Type:        | Shaded Pole Induction Motor   | • Weight:             | 550g                      |
| • Temperature Range: | B10~B4A -40°C ~ +70°C (Operating)<br>B5A -40°C ~ +60°C (Operating)<br>All Classes -40°C ~ +70°C (Storage) | • Rotation Direction: | Counterclockwise          |
| • Material:          | Casing: Aluminium (Painted)<br>Impeller: Polycarbonate<br>(Glass Filled)                                  | • Airflow Direction:  | Out Over Support Struts   |

| Model           | Product No. | Rated Voltage (V) | Frequency (Hz) | Starting Voltage (V) | Current (A) | Input Power (W) | Speed (RPM) | Max. Airflow (m <sup>3</sup> /min) | Max. Static Pressure (Pa) | Noise (dBA) |
|-----------------|-------------|-------------------|----------------|----------------------|-------------|-----------------|-------------|------------------------------------|---------------------------|-------------|
| 4715MS-12T-B10- | X00         | 115               | 50             | 75                   | 0.090       | 6.0             | 1350        | 1.30                               | 15.6                      | 27.0        |
|                 |             | 115               | 60             | 75                   | 0.080       | 5.5             | 1450        | 1.40                               | 16.6                      | 28.0        |
| 4715MS-12T-B20- | X00         | 115               | 50             | 75                   | 0.100       | 7.0             | 2100        | 2.00                               | 35.2                      | 32.0        |
|                 |             | 115               | 60             | 75                   | 0.100       | 7.0             | 1950        | 1.90                               | 24.5                      | 30.0        |
| 4715MS-12T-B30- | X00         | 115               | 50             | 75                   | 0.160       | 11.0            | 2400        | 2.30                               | 49.9                      | 34.0        |
|                 |             | 115               | 60             | 75                   | 0.140       | 10.0            | 2600        | 2.50                               | 49.9                      | 37.0        |
| 4715MS-12T-B4A- | X00         | 115               | 50             | 75                   | 0.220       | 15.0            | 2450        | 2.40                               | 50.9                      | 35.0        |
|                 |             | 115               | 60             | 75                   | 0.190       | 13.0            | 2750        | 2.70                               | 64.6                      | 39.0        |
| 4715MS-12T-B5A- | X00         | 115               | 50             | 65                   | 0.250       | 15.5            | 2600        | 2.50                               | 64.6                      | 37.0        |
|                 |             | 115               | 60             | 65                   | 0.210       | 14.5            | 2900        | 2.90                               | 76.4                      | 41.0        |
| 4715MS-23T-B10- | X00         | 230               | 50             | 175                  | 0.050       | 6.5             | 1350        | 1.30                               | 14.7                      | 27.0        |
|                 |             | 230               | 60             | 175                  | 0.045       | 6.0             | 1450        | 1.40                               | 14.7                      | 28.0        |
| 4715MS-23T-B20- | X00         | 230               | 50             | 175                  | 0.060       | 7.5             | 2100        | 2.00                               | 35.2                      | 32.0        |
|                 |             | 230               | 60             | 175                  | 0.060       | 7.5             | 1900        | 1.90                               | 21.5                      | 30.0        |
| 4715MS-23T-B30- | X00         | 230               | 50             | 175                  | 0.100       | 12.0            | 2400        | 2.30                               | 49.0                      | 34.0        |
|                 |             | 230               | 60             | 175                  | 0.080       | 11.0            | 2600        | 2.50                               | 51.9                      | 37.0        |
| 4715MS-23T-B4A- | X00         | 230               | 50             | 175                  | 0.120       | 15.0            | 2450        | 2.40                               | 53.9                      | 35.0        |
|                 |             | 230               | 60             | 175                  | 0.100       | 13.0            | 2750        | 2.70                               | 63.7                      | 39.0        |
| 4715MS-23T-B5A- | X00         | 230               | 50             | 175                  | 0.120       | 15.0            | 2600        | 2.50                               | 63.7                      | 37.0        |
|                 |             | 230               | 60             | 175                  | 0.100       | 14.0            | 2900        | 2.90                               | 70.5                      | 41.0        |