

11938KA (4715KL)

DC Axial Fan Ball Bearing



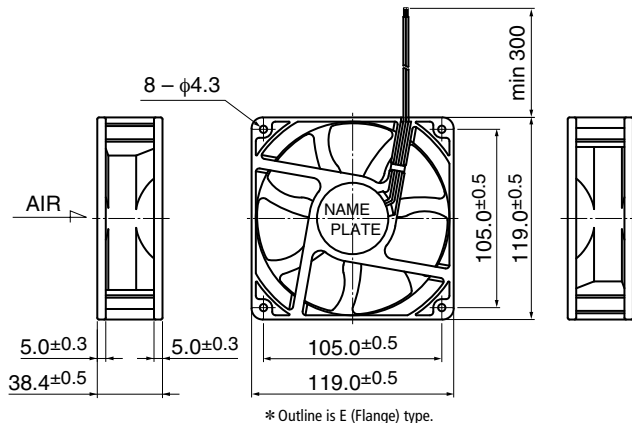
119[□]X38^L



General Specifications

Motor Protection	Auto Restart / Polarity Protection
Insulation Resistance	10MΩ or over with a DC500V Megger
Dielectric Withstand Voltage : AC700V 1s	
Allowable Ambient	L, M Class : -10°C ~ +70°C (Operating)
Temperature Range	N Class : -10°C ~ +40°C (Operating)
	: -40°C ~ +70°C (Storage)
	non-condensing environment

Outline



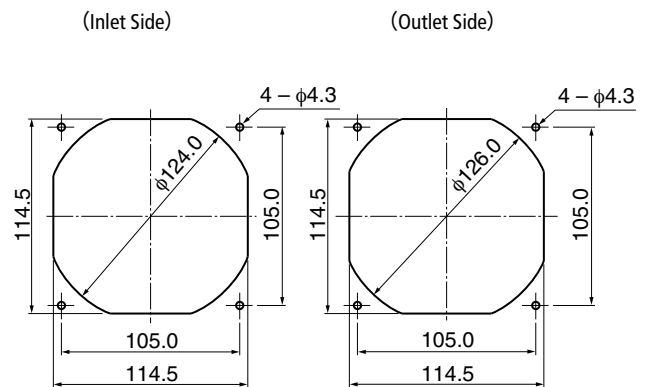
* Outline is E (Flange) type.

Expected Life

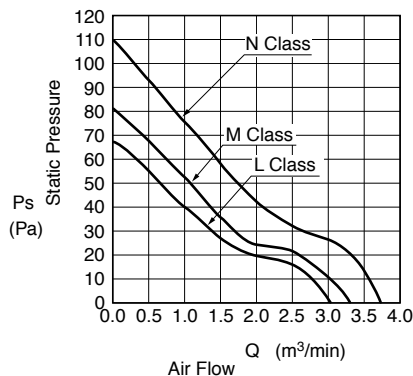
※ Failure Rate: 10% (L10 Life)

25°C 100,000 (Hours)

Panel Out-cuts



Characteristic Curves



Material

Casing	: Plastic (Black) UL94V-0
Impeller	: Plastic (Black) UL94V-0
Bearing	: Ball Bearing
Lead Wire	: UL1007 AWG24 +: Red, -: Black

Customize service for IP compatible type and Oil-proof type is available for this item. Please contact to our sales representative for more detail.

Specifications

□ = Casing Form --- A: Rib Type, E: Flange Type

Model	Product No.	Rating Voltage	Operating Voltage	Current	Input Power	Speed	Max. Air Flow		Max. Static Pressure		Noise	Mass
		(V)	(V)	(A)*1	(W)*1	(min ⁻¹)*1	(m ³ /min)*1	(CFM)*1	(Pa)*1	(In H ₂ O)*1	(dB)*1	(g)
11938KA-12L-□A-	00	12	6.0 ~ 13.8	0.55	6.60	2950	3.07	108.4	68.1	0.27	42.5	260
11938KA-12M-□A-	00			0.70	8.40	3200	3.34	117.9	81.4	0.33	46.5	
11938KA-12N-□A-	00			1.00	12.00	3600	3.68	129.9	110.0	0.44	50.0	
11938KA-24L-□A-	00	24	10.0 ~ 27.6	0.31	7.44	2950	3.07	108.4	68.1	0.27	42.5	
11938KA-24M-□A-	00			0.35	8.40	3200	3.34	117.9	81.4	0.33	46.5	
11938KA-24N-□A-	00			0.50	12.00	3600	3.68	129.9	110.0	0.44	50.0	
11938KA-48L-□A-	00	48	25.0 ~ 55.2	0.16	7.68	2950	3.07	108.4	68.1	0.27	42.5	
11938KA-48M-□A-	00			0.20	9.60	3200	3.34	117.9	81.3	0.33	46.5	
11938KA-48N-□A-	00			0.20	9.60	3200	3.34	117.9	81.3	0.33	46.5	

Rotation: Clockwise as seen from the label side
Airflow Outlet: Label side

*1: Average Values in Free Air